

Signal Converter

DATA SHEET

Overview

The HEINZMANN Signal Converter provides a 4mA to 20mA input from an external speed control (e.g. Si-TEC BDG, CGC, etc.) and a 0mA to 200mA output to the HA14E / HA22E amplifier or to Woodward range of electro-hydraulic actuators, with no pre-calibration or set up required during the installation and setup.

The converter requires a 24 Vdc power supply and provides a green LED to indicate power supply to unit.

In addition, it also has an isolated 0 – 5 Vdc output for actuator position feedback (e.g. to DCS, SCADA, etc.).



Key Features

4mA to 20mA Input range

0mA to 200mA output range

Utilise with HA14E / HA22E Amplifiers

Compatible with the Woodward range of electro-hydraulic actuators

No pre-calibration or setup required

LED Level indicators for input and output signals

Output for actuator position feedback

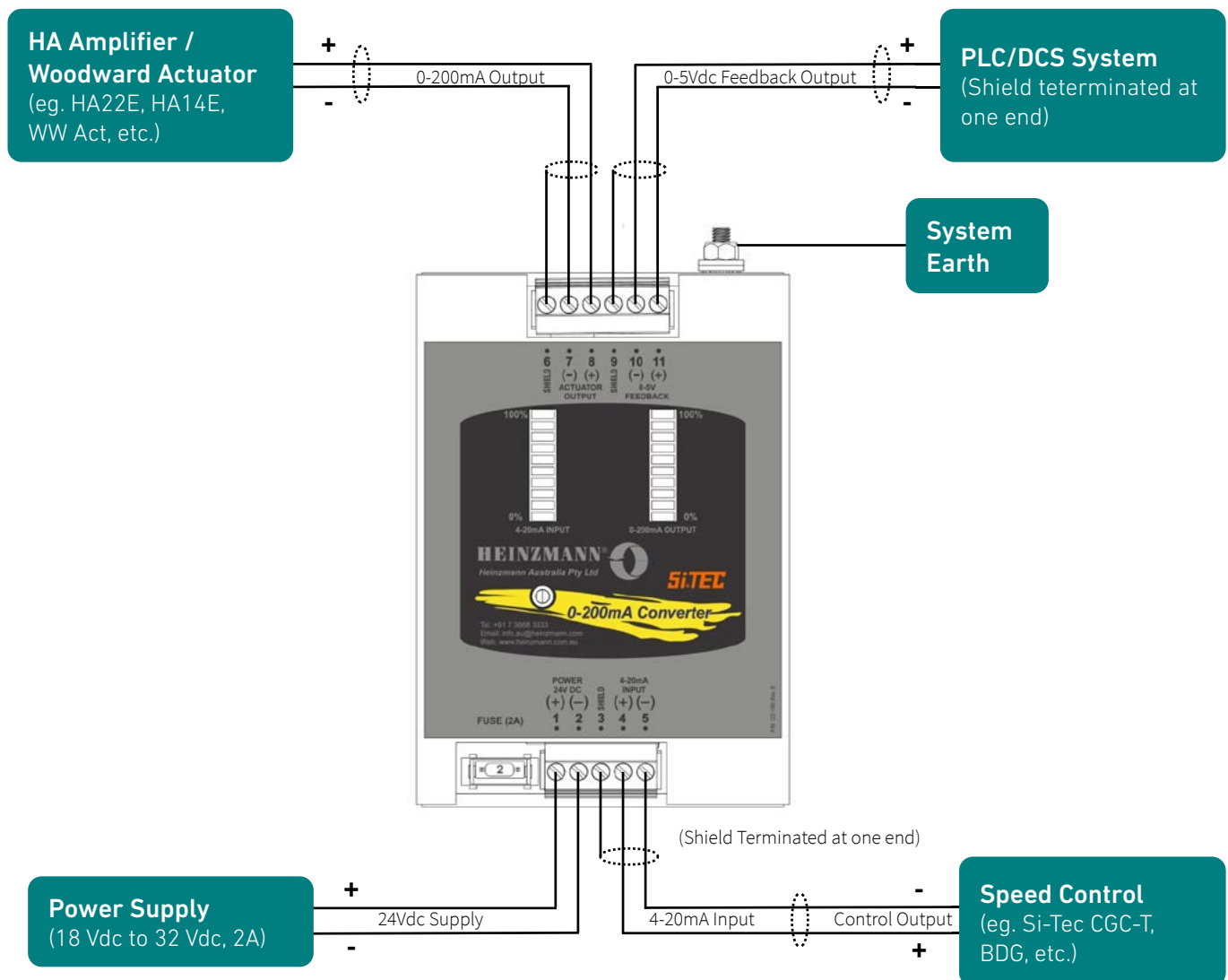
Application

- Steam turbine generators
- Back-pressure turbines
- Condensing turbines
- Sugar mills
- Paper Mills
- Oil & Gas
- Geothermal
- Utility generation

General Technical Data

Specification	Value
Size	83.5 x 150 x 31.6 mm
Weight	0.465 kg
Mounting	Internal flush mounted with 2 x M7 screws required
Power Supply	24 Vdc nominal (18 Vdc to 32 Vdc range), with 2 Amp fuse rating, reverse polarity protected
Input	4 – 20 mA (input signal is isolated from both power supply and output signal)
Input Resistance	Maximum burden resistance 500 Ω
Output	Pre-set for 0mA to 200 mA (no calibration required)
Time Lag	< 5 mSec for 100% step
Operating Temperature	0 to 60°C (95% Non-Condensing)
EMC Requirements	In order to comply with requirements of IEC61000-4-2, -3, -4 and -5 the signal converter unit must be mounted in a steel plate enclosure

Wiring Interface Details



Physical dimensions

The signal converter is internal panel flush mounted with 2 x M7 mounting screws required.
Green LED level indications for both input (4mA to 20mA) as well as output (0mA to 200mA) provide for ease of troubleshooting and diagnostics.

